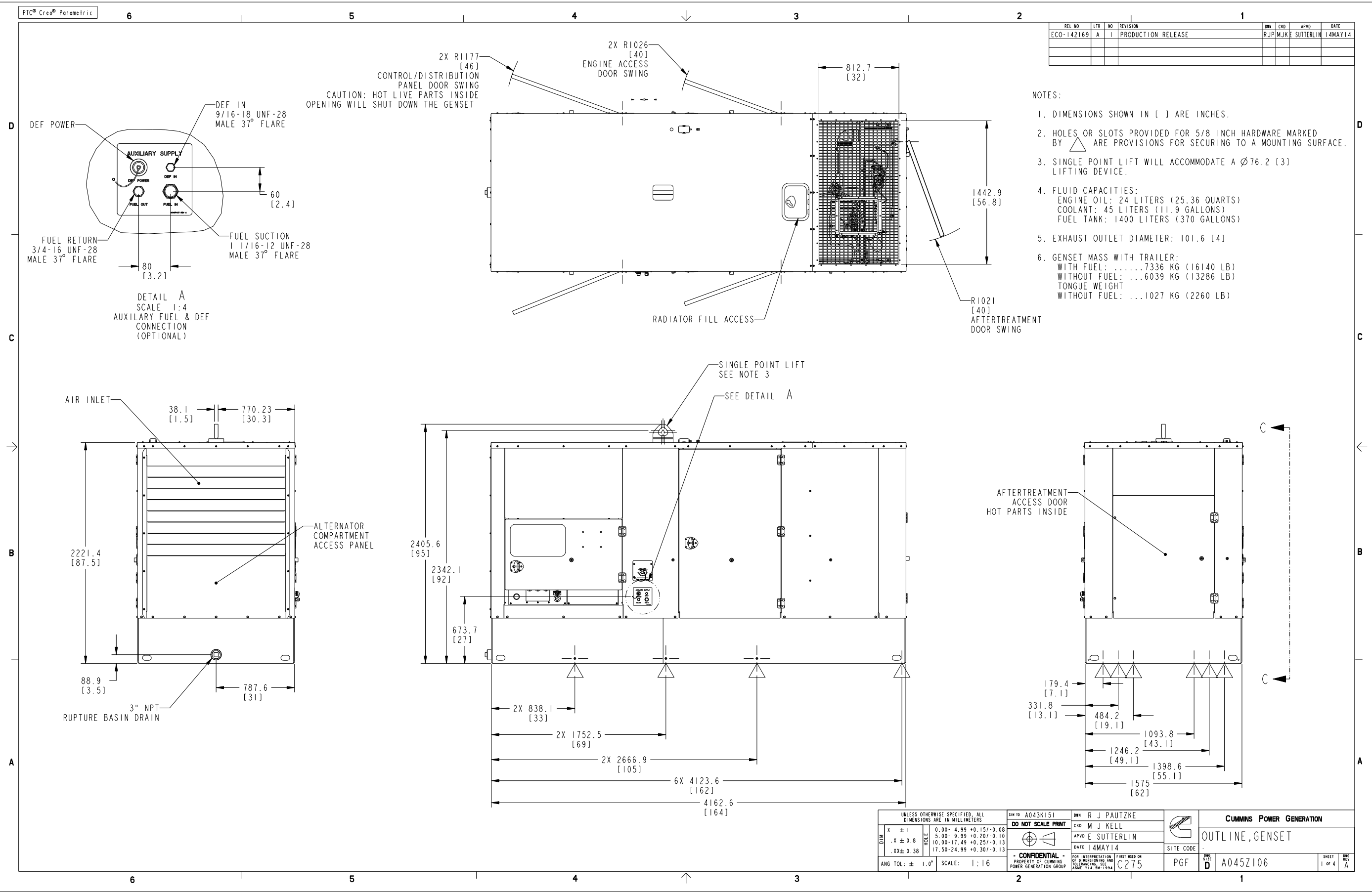


REL NO	LTR	NO	REVISION	OWN	CAD	APVD	DATE
ECO-142169	A	1	PRODUCTION RELEASE	RJP	MJK	E SUTTERLIN	14MAY14

NOTES:

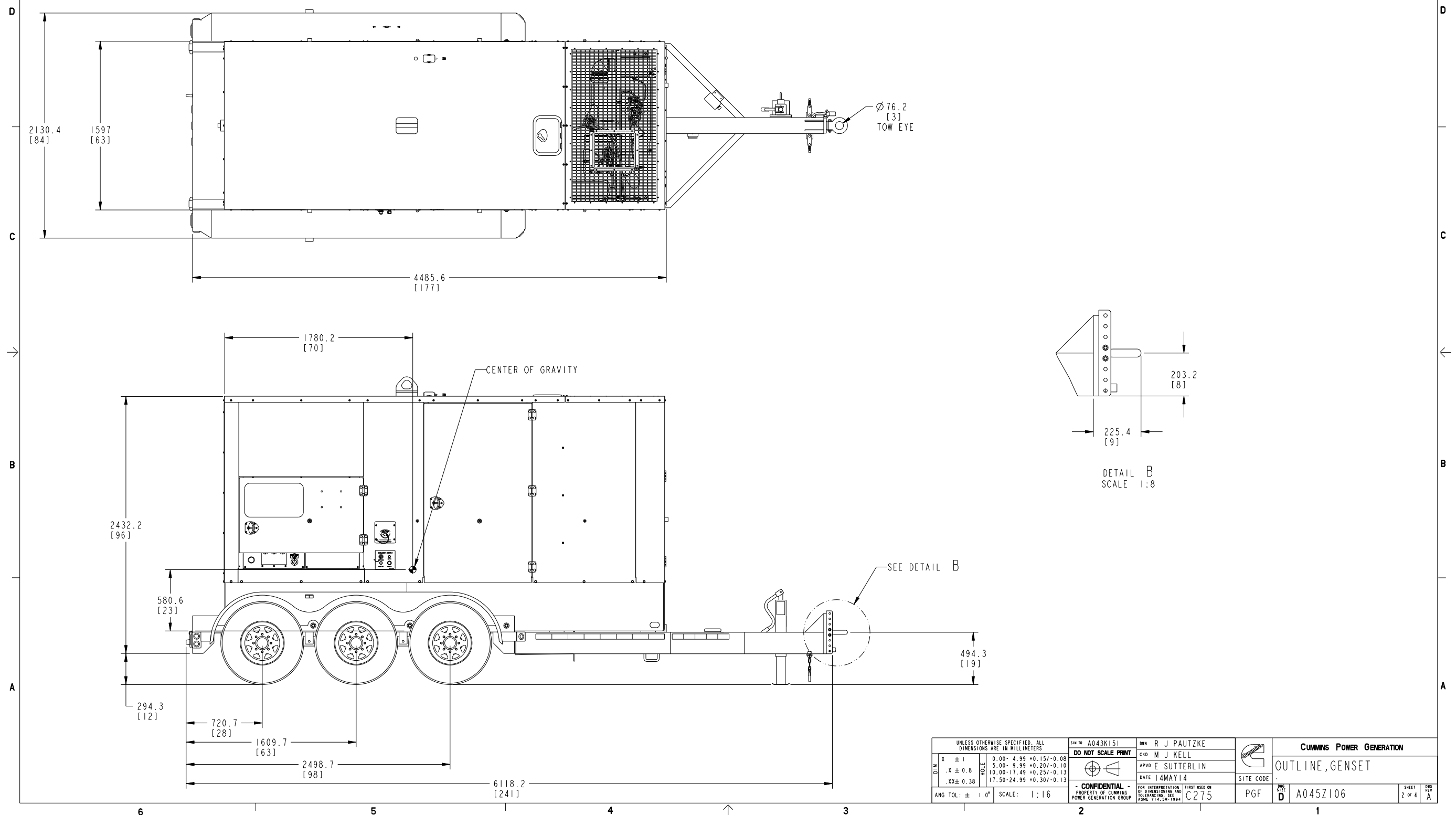
- DIMENSIONS SHOWN IN [] ARE INCHES.
- HOLES OR SLOTS PROVIDED FOR 5/8 INCH HARDWARE MARKED BY \triangle ARE PROVISIONS FOR SECURING TO A MOUNTING SURFACE.
- SINGLE POINT LIFT WILL ACCOMMODATE A $\varnothing 76.2$ [3] LIFTING DEVICE.
- FLUID CAPACITIES:
ENGINE OIL: 24 LITERS (25.36 QUARTS)
COOLANT: 45 LITERS (11.9 GALLONS)
FUEL TANK: 1400 LITERS (370 GALLONS)
- EXHAUST OUTLET DIAMETER: 101.6 [4]
- GENSET MASS WITH TRAILER:
WITH FUEL:7336 KG (16140 LB)
WITHOUT FUEL: ...6039 KG (13286 LB)
TONGUE WEIGHT
WITHOUT FUEL: ...1027 KG (2260 LB)



UNLESS OTHERWISE SPECIFIED, ALL DIMENSIONS ARE IN MILLIMETERS		SIM NO	A043K151	OWN	R J PAUTZKE		CUMMINS POWER GENERATION								
<table border="1"> <tr> <td>X ± 1</td> <td>0.00- 4.99 +0.15/-0.08</td> </tr> <tr> <td>.X ± 0.8</td> <td>5.00- 9.99 +0.20/-0.10</td> </tr> <tr> <td>.XX ± 0.38</td> <td>10.00-17.49 +0.25/-0.13</td> </tr> <tr> <td></td> <td>17.50-24.99 +0.30/-0.13</td> </tr> </table>	X ± 1	0.00- 4.99 +0.15/-0.08	.X ± 0.8	5.00- 9.99 +0.20/-0.10	.XX ± 0.38		10.00-17.49 +0.25/-0.13		17.50-24.99 +0.30/-0.13	DO NOT SCALE PRINT	CND	M J KELL	OUTLINE, GENSET		SHEET
X ± 1	0.00- 4.99 +0.15/-0.08														
.X ± 0.8	5.00- 9.99 +0.20/-0.10														
.XX ± 0.38	10.00-17.49 +0.25/-0.13														
	17.50-24.99 +0.30/-0.13														
ANG TOL: ± 1.0°	SCALE: 1:16	DATE	14MAY14	APVD	E SUTTERLIN	SITE CODE									
- CONFIDENTIAL - PROPERTY OF CUMMINS POWER GENERATION GROUP		FOR INTERPRETATION OF DIMENSIONS AND TOLERANCING, SEE ASME Y14.5M-1994	FIRST USED ON	PGF	D	A045Z106	REV	A							

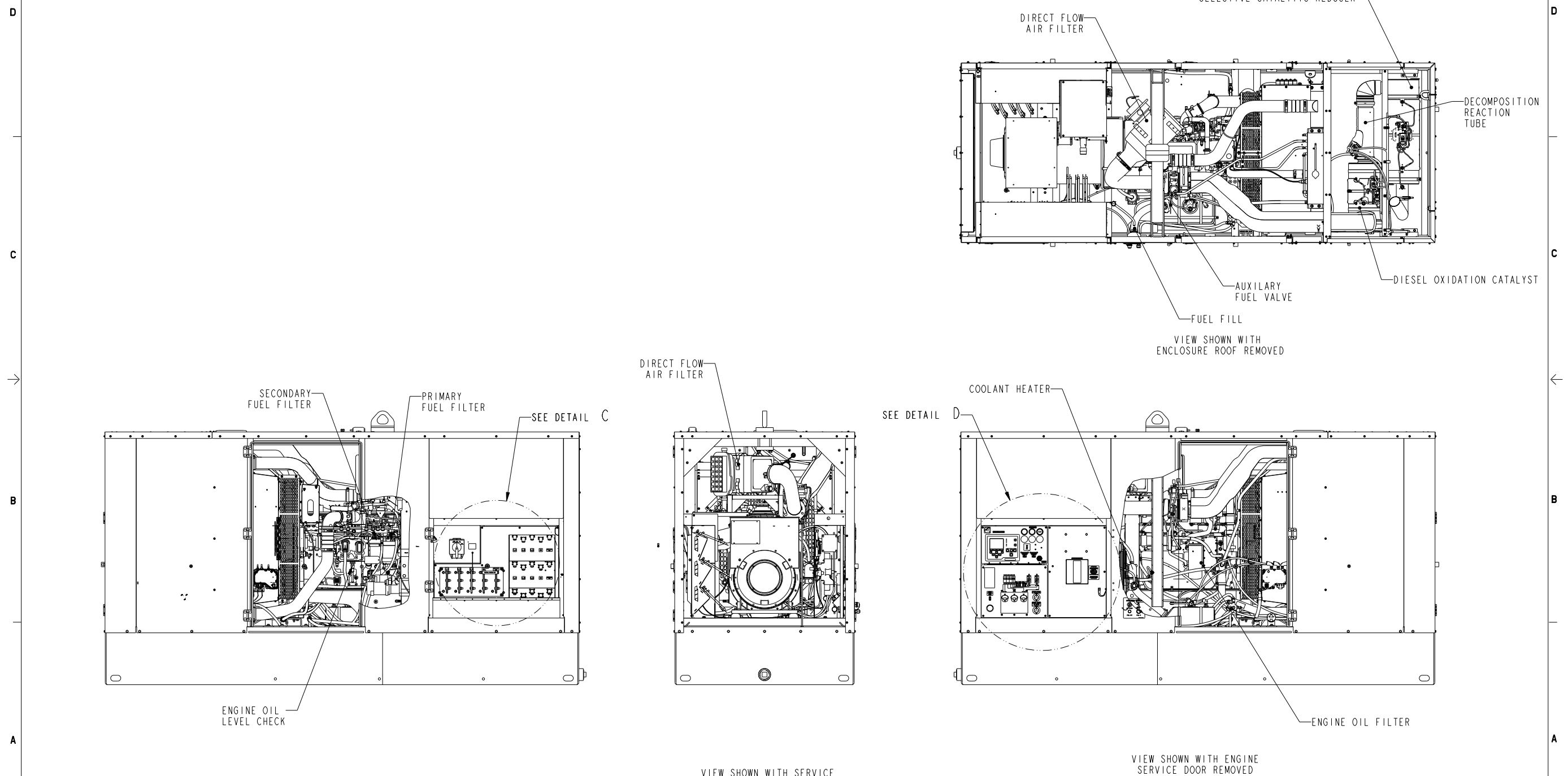
PTC® Creo® Parametric

REL NO	LTR	NO	REVISION	OWN	CAD	APVD	DATE
ECO-142169	A	1	PRODUCTION RELEASE	RJP	MJK	E SUTTERLIN	14MAY14



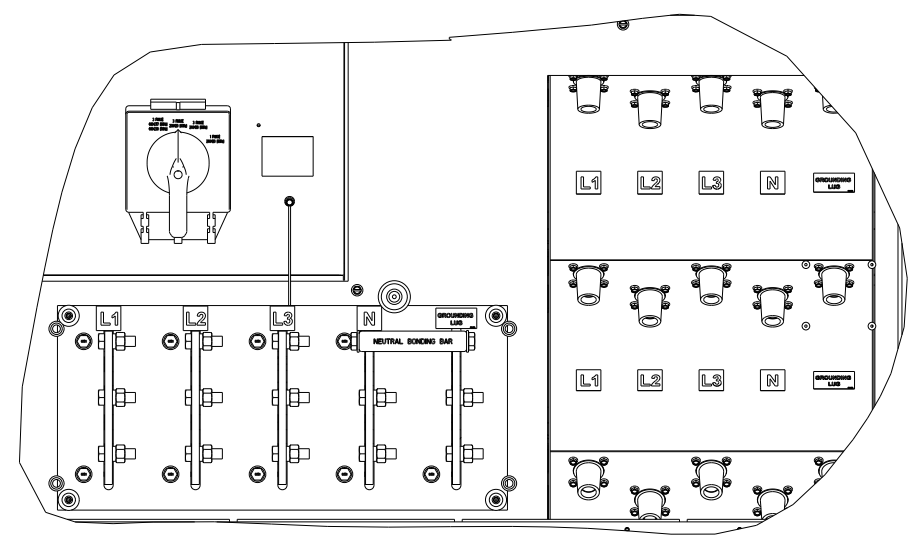
UNLESS OTHERWISE SPECIFIED, ALL DIMENSIONS ARE IN MILLIMETERS		SIM 10 A043K151	OWN R J PAUTZKE		CUMMINS POWER GENERATION																
DO NOT SCALE PRINT		OWN M J KELL	OUTLINE, GENSET																		
<table border="1"> <tr> <th>CH</th> <th>TOL</th> <th>RANGE</th> </tr> <tr> <td>X ± 1</td> <td></td> <td>0.00- 4.99 +0.15/-0.08</td> </tr> <tr> <td>.X ± 0.8</td> <td></td> <td>5.00- 9.99 +0.20/-0.10</td> </tr> <tr> <td>.XX ± 0.38</td> <td></td> <td>10.00-17.49 +0.25/-0.13</td> </tr> <tr> <td></td> <td></td> <td>17.50-24.99 +0.30/-0.13</td> </tr> </table>	CH	TOL	RANGE	X ± 1		0.00- 4.99 +0.15/-0.08	.X ± 0.8		5.00- 9.99 +0.20/-0.10	.XX ± 0.38		10.00-17.49 +0.25/-0.13			17.50-24.99 +0.30/-0.13	DATE 14MAY14	APVD E SUTTERLIN	SITE CODE	PGF	REV D	A045Z106
CH	TOL	RANGE																			
X ± 1		0.00- 4.99 +0.15/-0.08																			
.X ± 0.8		5.00- 9.99 +0.20/-0.10																			
.XX ± 0.38		10.00-17.49 +0.25/-0.13																			
		17.50-24.99 +0.30/-0.13																			
ANG TOL: ± 1.0°	SCALE: 1:16	PROPERTY OF CUMMINS POWER GENERATION GROUP	FOR INTERPRETATION OF DIMENSIONS AND TOLERANCING, SEE ASME Y14.5M-1994	FIRST USED ON C275	SHEET 2 OF 4	REV A															

REL NO	LTR	NO	REVISION	OWN	CAD	APVD	DATE
ECO-142169	A	1	PRODUCTION RELEASE	RJP	MJK	E SUTTERLIN	14MAY14

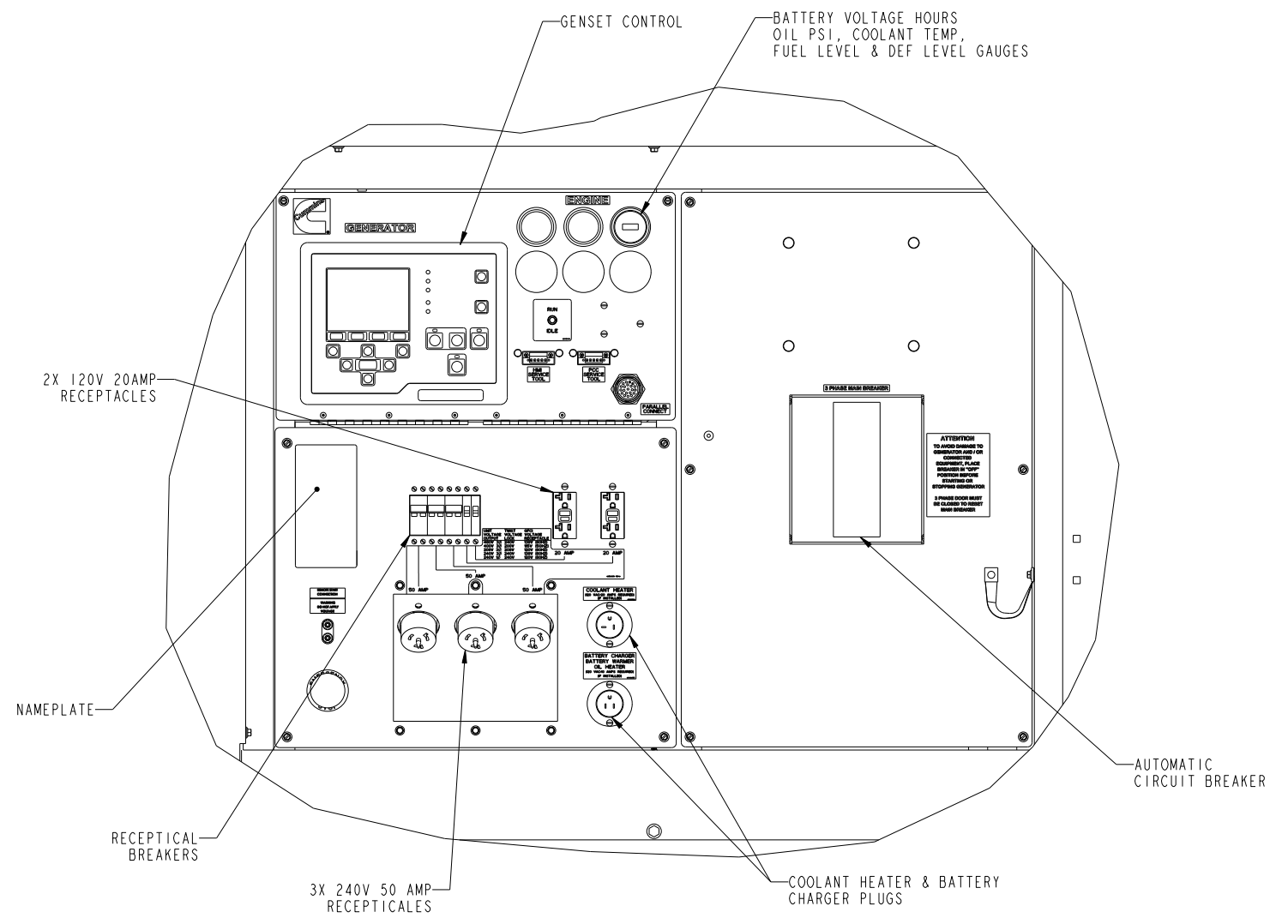


UNLESS OTHERWISE SPECIFIED, ALL DIMENSIONS ARE IN MILLIMETERS		SIM 10 A043K151	OWN R J PAUTZKE		CUMMINS POWER GENERATION																																
DO NOT SCALE PRINT		DO NOT SCALE PRINT	CAD M J KELL		OUTLINE, GENSET																																
<table border="1"> <tr> <td>CH</td> <td>TOL</td> <td>FEEL</td> </tr> <tr> <td>X ± 1</td> <td>0.00- 4.99 +0.15/-0.08</td> <td></td> </tr> <tr> <td>.X ± 0.8</td> <td>5.00- 9.99 +0.20/-0.10</td> <td></td> </tr> <tr> <td>.XX ± 0.38</td> <td>10.00-17.49 +0.25/-0.13</td> <td></td> </tr> <tr> <td></td> <td>17.50-24.99 +0.30/-0.13</td> <td></td> </tr> </table>	CH	TOL	FEEL	X ± 1	0.00- 4.99 +0.15/-0.08		.X ± 0.8	5.00- 9.99 +0.20/-0.10		.XX ± 0.38	10.00-17.49 +0.25/-0.13			17.50-24.99 +0.30/-0.13		ANG TOL: ± 1.0°	SCALE: 1:16	<table border="1"> <tr> <td>DATE</td> <td>14MAY14</td> </tr> <tr> <td>SITE CODE</td> <td>PGF</td> </tr> </table>	DATE	14MAY14	SITE CODE	PGF	<table border="1"> <tr> <td>DATE</td> <td>14MAY14</td> </tr> <tr> <td>SITE CODE</td> <td>PGF</td> </tr> </table>	DATE	14MAY14	SITE CODE	PGF	<table border="1"> <tr> <td>DATE</td> <td>14MAY14</td> </tr> <tr> <td>SITE CODE</td> <td>PGF</td> </tr> </table>	DATE	14MAY14	SITE CODE	PGF	<table border="1"> <tr> <td>DATE</td> <td>14MAY14</td> </tr> <tr> <td>SITE CODE</td> <td>PGF</td> </tr> </table>	DATE	14MAY14	SITE CODE	PGF
CH	TOL	FEEL																																			
X ± 1	0.00- 4.99 +0.15/-0.08																																				
.X ± 0.8	5.00- 9.99 +0.20/-0.10																																				
.XX ± 0.38	10.00-17.49 +0.25/-0.13																																				
	17.50-24.99 +0.30/-0.13																																				
DATE	14MAY14																																				
SITE CODE	PGF																																				
DATE	14MAY14																																				
SITE CODE	PGF																																				
DATE	14MAY14																																				
SITE CODE	PGF																																				
DATE	14MAY14																																				
SITE CODE	PGF																																				
- CONFIDENTIAL - PROPERTY OF CUMMINS POWER GENERATION GROUP			FOR INTERPRETATION OF DIMENSIONS AND TOLERANCING, SEE ASME Y14.5M-1994	FIRST USED ON C275	SHEET 3 OF 4	REV A																															

REL NO	LTR	NO	REVISION	BY	CAD	APVD	DATE
ECO-142169	A	1	PRODUCTION RELEASE	RJP	MJK	E SUTTERLIN	14MAY14



LUG CONNECTIONS
CAM LOCK CONNECTIONS
DETAIL C
SCALE 1:4
DISTRIBUTION PANEL



GENSET CONTROL
BATTERY VOLTAGE HOURS
OIL PSI, COOLANT TEMP,
FUEL LEVEL & DEF LEVEL GAUGES
2X 120V 20AMP
RECEPTACLES
NAMEPLATE
RECEPTICAL
BREAKERS
3X 240V 50 AMP
RECEPTACLES
COOLANT HEATER & BATTERY
CHARGER PLUGS
AUTOMATIC
CIRCUIT BREAKER
DETAIL D
SCALE 1:4
USER INTERFACE

UNLESS OTHERWISE SPECIFIED, ALL DIMENSIONS ARE IN MILLIMETERS		SIM 10 A043K151	BY R J PAUTZKE		CUMMINS POWER GENERATION															
DO NOT SCALE PRINT		BY M J KELL	OUTLINE, GENSET																	
<table border="1"> <tr> <td>X ± 1</td> <td>0.00- 4.99 +0.15/-0.08</td> </tr> <tr> <td>.X ± 0.8</td> <td>5.00- 9.99 +0.20/-0.10</td> </tr> <tr> <td>.XX ± 0.38</td> <td>10.00-17.49 +0.25/-0.13</td> </tr> <tr> <td></td> <td>17.50-24.99 +0.30/-0.13</td> </tr> </table>	X ± 1	0.00- 4.99 +0.15/-0.08	.X ± 0.8	5.00- 9.99 +0.20/-0.10	.XX ± 0.38	10.00-17.49 +0.25/-0.13		17.50-24.99 +0.30/-0.13	<table border="1"> <tr> <td>ANG TOL: ± 1.0°</td> <td>SCALE: 1:16</td> </tr> </table>	ANG TOL: ± 1.0°	SCALE: 1:16	<table border="1"> <tr> <td>DATE 14MAY14</td> <td>SITE CODE</td> </tr> </table>	DATE 14MAY14	SITE CODE	<table border="1"> <tr> <td>PGF</td> <td>REV D</td> </tr> </table>	PGF	REV D	<table border="1"> <tr> <td>A045Z106</td> <td>SHEET 4 OF 4</td> </tr> </table>	A045Z106	SHEET 4 OF 4
X ± 1	0.00- 4.99 +0.15/-0.08																			
.X ± 0.8	5.00- 9.99 +0.20/-0.10																			
.XX ± 0.38	10.00-17.49 +0.25/-0.13																			
	17.50-24.99 +0.30/-0.13																			
ANG TOL: ± 1.0°	SCALE: 1:16																			
DATE 14MAY14	SITE CODE																			
PGF	REV D																			
A045Z106	SHEET 4 OF 4																			
<p>FOR INTERPRETATION OF DIMENSIONS AND TOLERANCING, SEE ASME Y14.5M-1994</p>		<p>PROPERTY OF CUMMINS POWER GENERATION GROUP</p>	<p>FIRST USED ON C275</p>	<p>DATE 14MAY14</p>	<p>PGF</p>	<p>A045Z106</p>														

Part A045Z106 A

Description	Legacy Name	External Regulations	Application Status	Release Phase Code	Security Classification	Alternates
OUTLINE,GENSET	A045Z106	None	Production & Service	Production	Proprietary	

Part Specifications :A045Z106 A

Name	Description	Legacy Name
A030B356	SPECIFICATION,MATERIAL	CES10903
A045Z107	DRAWING,ENGINEERING	A045Z107